

## YQ21H-C312L

### Features

- ✓ Supports 103Gbps aggregate bit rates
- ✓ 4x25.78Gbps CWDM transmitter
- ✓ High-sensitivity PIN-TIA receiver
- ✓ Up to 2km on SMF
- ✓ Duplex LC receptacles
- ✓ Hot pluggable QSFP28 form factor
- ✓ Power dissipation < 3.5W
- ✓ All-metal housing for superior EMI performance
- ✓ RoHS6 compliant (lead free)
- ✓ Operating case temperature:  
Commercial: 0°C to +70°C

### Applications

- ✓ 100G-CWDM4
- ✓ InfiniBand QDR and DDR interconnects
- ✓ 100G Telecom connections

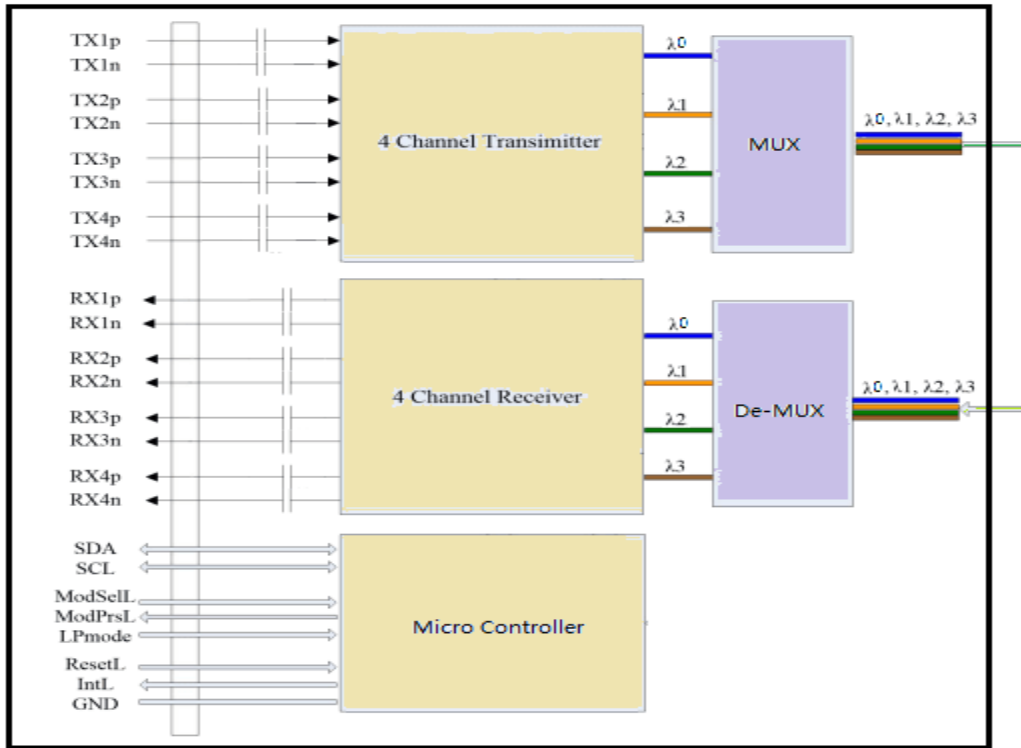
### Standards

- ✓ Compliant with QSFP28 MSA
- ✓ Compliant with SFF-8636
- ✓ Compatible with IEEE802.3bm
- ✓ Compatible with 100G CWDM4 MSA

### Description

The QSFP28 transceivers are designed for use in 100-Gigabit Ethernet links up to 2km over Single Mode Fiber. The transceivers are compatible with QSFP28 MSA and SFF-8636. For further information, please refer to QSFP28 MSA and SFF-8636.

### Module Block Diagram



### Absolute Maximum Ratings

Parameter	Symbol	Min.	Typical	Max.	Unit
Power Supply Voltage	V <sub>CC</sub>	0		3.6	V
Storage Temperature	T <sub>s</sub>	-40		+85	°C
Relative Humidity	RH	0		85	%
RX Input Average Power per Lane	P <sub>max</sub>	-		5.5	dBm

### Recommended Operating Environment

Parameter	Symbol	Min.	Typical	Max.	Unit
Power Supply Voltage	V <sub>CC</sub>	3.13	3.3	3.46	V
Power Supply Current	I <sub>CC</sub>			1000	mA
Power Dissipation	P <sub>D</sub>			3.5	W
Operating Case Temperature	T <sub>C</sub>	0		+70	°C
Aggregate Data Rate	-		103.125		Gbps
Bit Rate per Lane	BR		25.78125		Gbps

## Electrical Characteristics

Parameter	Symbol	Min.	Typical	Max.	Unit	Note
<b>Transmitter Section</b>						
Input Differential Impedance	$R_{in}$	90	100	110	$\Omega$	
Differential Data Input Swing	$V_{in PP}$	180		1000	mV	1
<b>Receiver Section</b>						
Differential Data Output Swing	$V_{out PP}$	300		850	mV	

### Notes:

1. Connected directly to TX data input pins. AC coupling from pins into laser driver IC.

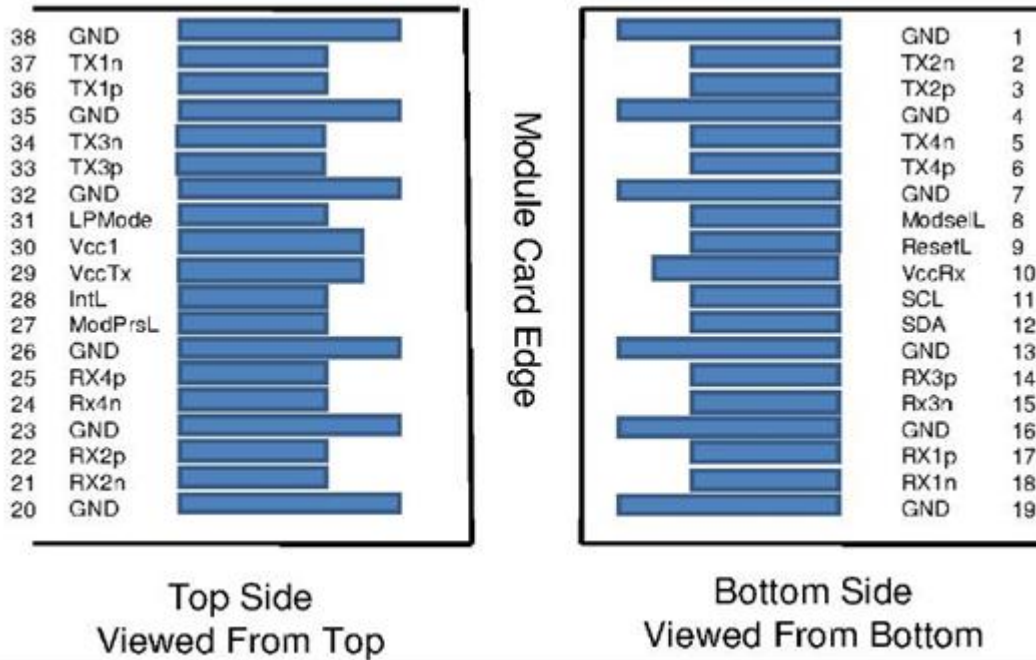
## Optical Parameters

Parameter	Symbol	Min.	Typical	Max.	Unit	Note
<b>Transmitter Section</b>						
Lane Centre Wavelength (range)	$\lambda_0$	1264.5		1277.5	nm	
	$\lambda_1$	1284.5		1297.5	nm	
	$\lambda_2$	1304.5		1317.5	nm	
	$\lambda_3$	1324.5		1337.5	nm	
Spectral Width (-20dB)	$\Delta\lambda$			1	nm	
Side Mode Suppression Ratio	SMSR	30			dB	
Average Optical Power per Lane	$P_{out}$	-6.5		+2.5	dBm	1
OMA Power per Lane	OMA	-4		2.5	dBm	1
Laser Off Power per Lane	$P_{off}$	-	-	-30	dBm	
Extinction Ratio	ER	3.5	-	-	dB	2
Relative Intensity Noise	RIN	-	-	-128	dB/Hz	
Optical Return Loss Tolerance		-	-	20	dB	
Transmitter eye mask definition {X1, X2, X3, Y1, Y2, Y3}		{0.31, 0.4, 0.45, 0.34, 0.38, 0.4}				2
<b>Receiver Section</b>						
Lane Center Wavelength (range)	$\lambda_0$	1264.5		1277.5	nm	
	$\lambda_1$	1284.5		1297.5	nm	
	$\lambda_2$	1304.5		1317.5	nm	
	$\lambda_3$	1324.5		1337.5	nm	
Average Receiver Power per Lane	$RXP_X$	-11.5		2.5	dBm	3
OMA Sensitivity per Lane	$RX_{sens}$			-10.0	dBm	3
Los Assert	$LOS_A$	-24	-	-	dBm	
Los Dessert	$LOS_D$	-	-	-12	dBm	
Los Hysteresis	$LOS_H$	0.5	-	5	dB	
Overload per Lane	$P_{in-max}$	-	-	2.5	dBm	3
Receiver Reflectance		-	-	-12	dB	
Damage Threshold per Lane		-	-	3.5	dBm	

**Notes:**

1. The optical power is launched into 9/125µm SMF.
2. Measured with a PRBS  $2^{31}-1$  test pattern @25.78Gbps.
3. Measured with a PRBS  $2^{31}-1$  test pattern @25.78Gbps, ER=4dB, BER <math>10^{-6}</math>.

**Pin Definitions**



**Pin Descriptions**

Pin	Symbol	Description	Plug Seq.	Notes
1	Ground	Ground	1	1
2	Tx2n	Transmitter Inverted Data Input	3	
3	Tx2p	Transmitter Non-Inverted Data Input	3	
4	Ground	Ground	1	1
5	Tx4n	Transmitter Inverted Data Input	3	
6	Tx4p	Transmitter Non-Inverted Data Input	3	
7	Ground	Ground	1	1
8	ModSelL	Module Select	3	
9	ResetL	Module Reset	3	
10	VccRx	+3.3 V Power supply receiver	2	2
11	SCL	2-wire serial interface clock	3	
12	SDA	2-wire serial interface data	3	
13	Ground	Ground	1	1
14	Rx3p	Transmitter Non-Inverted Data Input	3	
15	Rx3n	Transmitter Inverted Data Input	3	

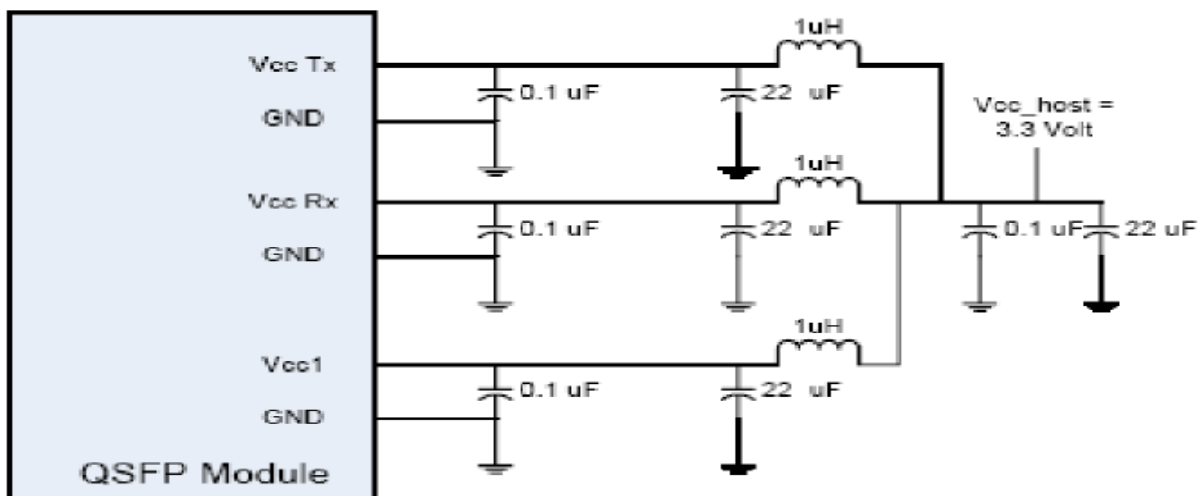
16	Ground	Ground	1	1
17	Rx1p	Transmitter Non-Inverted Data Input	3	
18	Rx1n	Transmitter Inverted Data Input	3	
19	Ground	Ground	1	1
20	Ground	Ground	1	1
21	Rx2n	Transmitter Inverted Data Input	3	
22	Rx2p	Transmitter Non-Inverted Data Input	3	
23	Ground	Ground	1	1
24	Rx4n	Transmitter Inverted Data Input	3	
25	Rx4p	Transmitter Non-Inverted Data Input	3	
26	Ground	Ground	1	1
27	ModPrsL	Module Present	3	
28	IntL	Interrupt	3	
29	VccTx	+3.3 V Power supply transmitter	2	2
30	Vcc1	+3.3 V Power Supply	2	2
31	LPMoDe	Low Power Mode	3	
32	Ground	Ground	1	1
33	Tx3p	Transmitter Non-Inverted Data Input	3	
34	Tx3n	Transmitter Inverted Data Input	3	
35	Ground	Ground	1	1
36	Tx1p	Transmitter Non-Inverted Data Input	3	
37	Tx1n	Transmitter Inverted Data Input	3	
38	Ground	Ground	1	1

**Notes:**

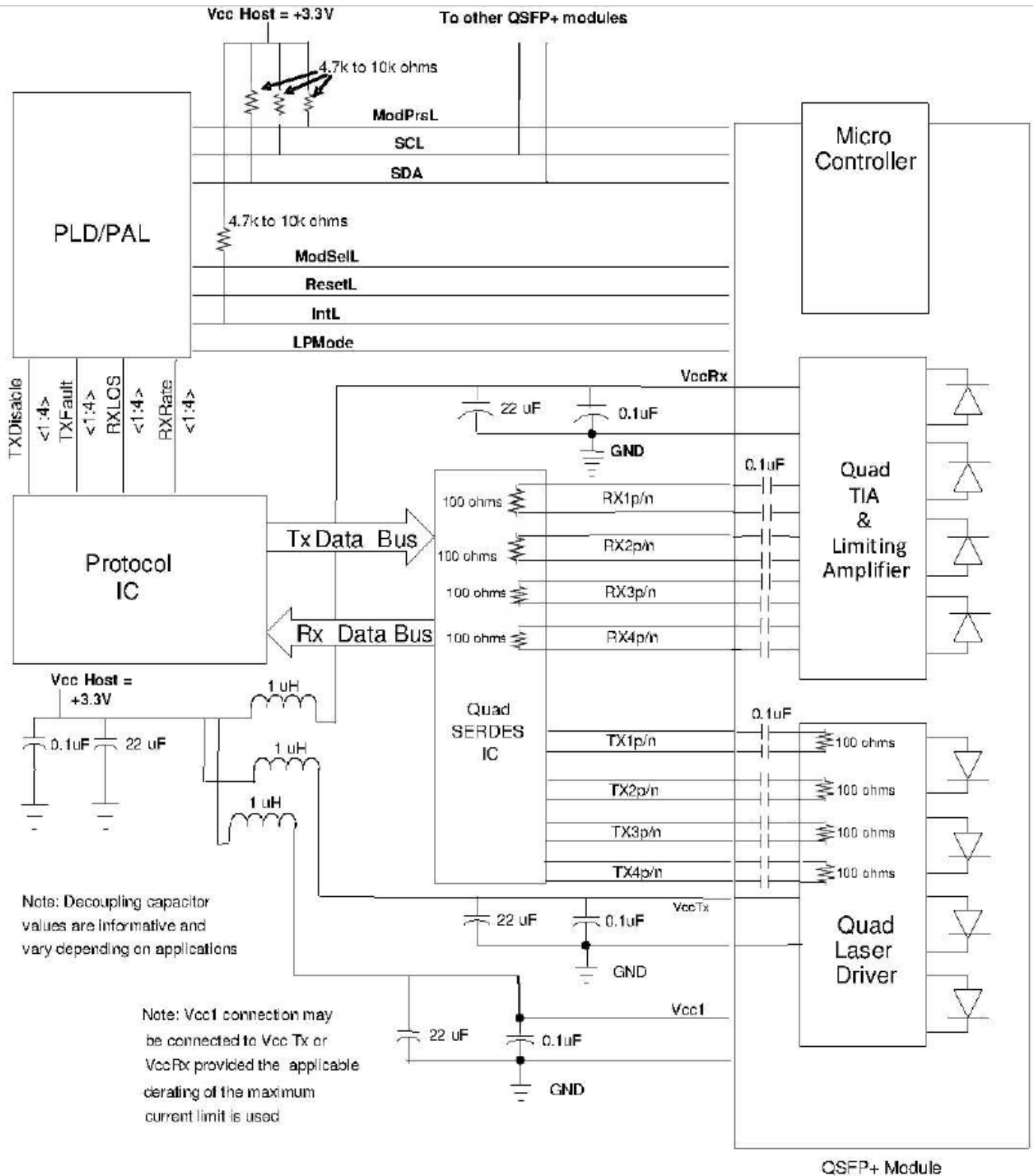
Plug Seq.: Pin engagement sequence during hot plugging.

1. Module ground pins GND are isolated from the module case.
2. VccRx, Vcc1 and VccTx are the receiver and transmitter power supplies and shall be applied concurrently.

**Recommended Power Interface Circuit**



### Recommended Interface Circuit



## Digital Diagnostic Functions

The QSFP28 transceivers support the 2-wire serial communication protocol as defined in the QSFP28 MSA, which allows real-time access to the following operating parameters:

- ✓ Transceiver temperature
- ✓ Laser bias current
- ✓ Transmitted optical power
- ✓ Received optical power
- ✓ Transceiver supply voltage

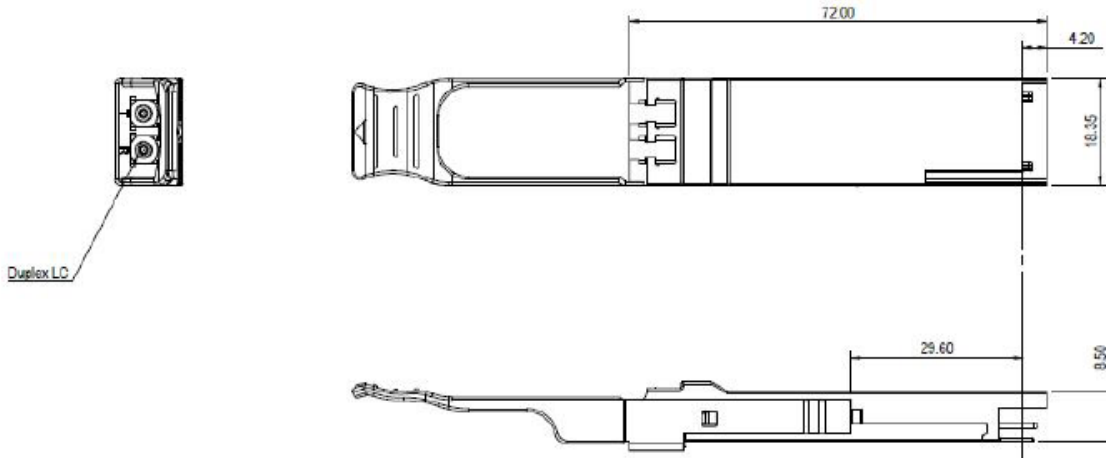
It also provides a sophisticated system of alarm and warning flags, which may be used to alert end-users when particular operating parameters are outside of a factory-set normal range.

The operating and diagnostics information is monitored and reported by a Digital Diagnostics Transceiver Controller inside the transceiver, which is accessed through the 2-wire serial interface. When the serial protocol is activated, the serial clock signal (SCL pin) is generated by the host. The positive edge clocks data into the QSFP28 transceiver into those segments of its memory map that are not write-protected. The negative edge clocks data from the QSFP28 transceiver. The serial data signal (SDA pin) is bi-directional for serial data transfer. The host uses SDA in conjunction with SCL to mark the start and end of serial protocol activation. The memories are organized as a series of 8-bit data words that can be addressed individually or sequentially. The 2-wire serial interface provides sequential or random access to the 8 bit parameters, addressed from 00h to the maximum address of the memory.

This clause defines the Memory Map for QSFP28 transceiver used for serial ID, digital monitoring and certain control functions. The interface is mandatory for all QSFP28 devices. The memory map has been changed in order to accommodate 4 optical channels and limit the required memory space. The structure of the memory is shown in Figure 2 QSFP28 Memory Map. The memory space is arranged into a lower, single page, address space of 128 bytes and multiple upper address space pages. This structure permits timely access to addresses in the lower page, e.g. Interrupt Flags and Monitors. Less time critical entries, e.g. serial ID information and threshold settings, are available with the Page Select function. The structure also provides address expansion by adding additional upper pages as needed. For example, in Figure 2 upper pages 01 and 02 are optional. Upper page 01 allows implementation of Application Select Table, and upper page 02 provides user read/write space. The lower page and upper pages 00 and 03 are always implemented. The interface address used is A0 and is mainly used for time critical data like interrupt handling in order to enable a “one-time-read” for all data related to an interrupt situation. After an Interrupt, IntL, has been asserted, the host can read out the flag field to determine the effected channel and type of flag.

For more detailed information including memory map definitions, please see the QSFP28 MSA Specification.

## Mechanical Dimensions



## Ordering information

Part Number	Product Description
YQ21H-C312L	100Gbps QSFP28 CWDM4, 2km on SMF, 0°C ~ +70°C, With DDM.

## References

1. QSFP28 MSA Specification for QSFP28 Copper and Optical Transceiver, Rev 4.7, February 2013.
2. SFF-8636 Specification for Management Interface for Cabled Environments, Rev 2.6, June 2015.
3. 100G CWDM4 Technical Specifications.

## Important Notice

Performance figures, data and any illustrative material provided in this data sheet are typical and must be specifically confirmed in writing by YOUTHTON before they become applicable to any particular order or contract. In accordance with the YOUTHTON policy of continuous improvement specifications may change without notice. The publication of information in this data sheet does not imply freedom from patent or other protective rights of YOUTHTON or others. Further details are available from any YOUTHTON sales representative.

## Contact Information

SHENZHEN YOUTHTON TECHNOLOGY CO., LTD.

ADD: F4, JINMA BUILDING, JINMA INDUSTRIAL PARK, SHIHUAN ROAD NO.4, SHIYAN STREET, BAOAN DISTRICT, SHENZHEN, CHINA

EMAIL: info@youthton.com